

## Display & Control Panel

Max. RPM : 4,500 rpm  
Max. RCF : 5,096 xg

### Display Screen

Status of RPM / RCF / Time / Temperature / Rotor ID / ACC / DEC / Program

### Setting Speed

Press once : Setting RPM  
Press twice : Setting RCF

### Setting Time

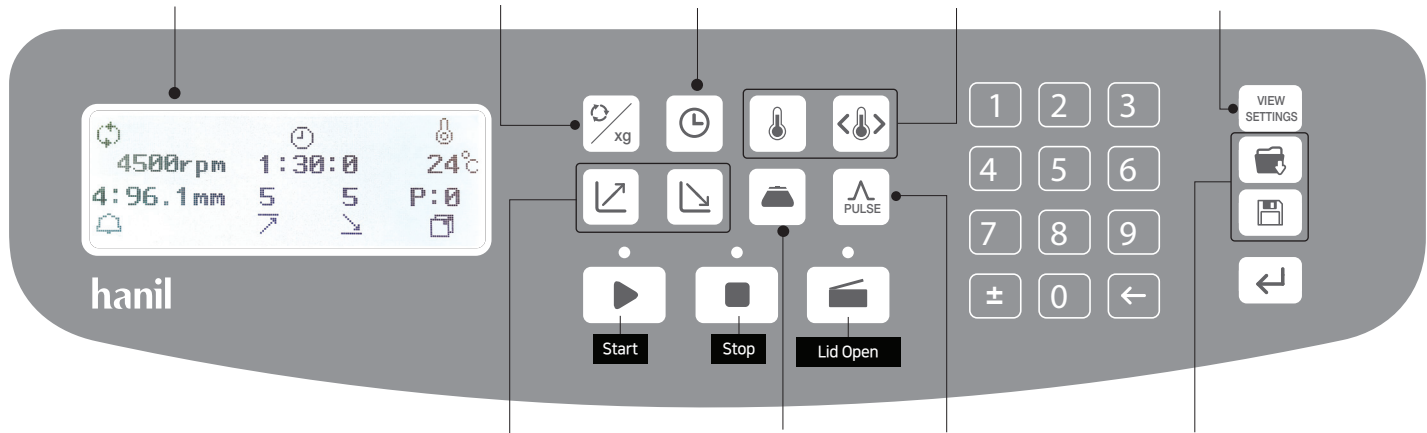
Up < 100 hr  
Continuous run (00:00)

### Setting Temperature

Setting temperature ( -20°C ~ 40°C)  
Setting temp. limit

### View Settings

Verifying the setting parameters during centrifugation



### Setting ACC / DEC Rate

- ACC (0 ~ 9 steps, Max.9)
- DEC (0 ~ 9 steps, Natural DEC.0)

### Setting the Rotor ID manually

Enter the rotor ID. manually, when rotor id is not identified automatically

### Short Spin

### Program Save / Call

- Saving a program (up to 100)
- Calling up a program

### Setting Run Parameters (RPM / RCF / Time / Temperature / ACC / DEC)



Press a parameter to be changed

Enter the desired values on the keypad

Press the Enter button

### Saving / Calling Up a Program

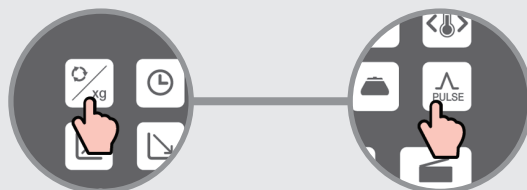


Press the Save or call button

Enter the desired program number on the keypad

Press the Enter button

### Pulse



Enter the desired speed (See 'Setting Run Parameters')

Press and hold the Pulse button. (When the Pulse button is released, the rotor begins decelerating.)

### Setting Temp. Limit



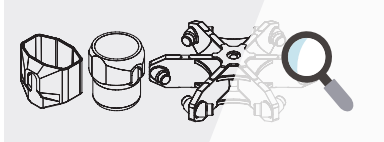

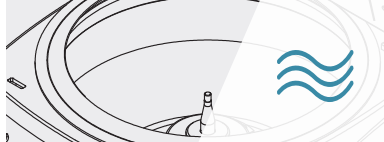
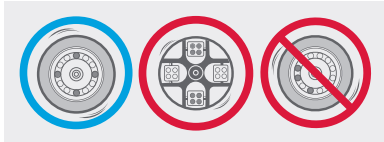
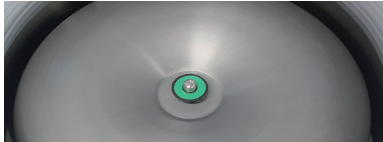
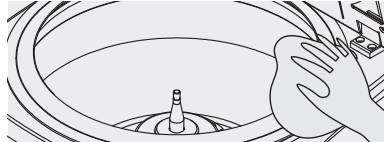
Press the Temp. limit button

Enter the desired temperature range on the keypad

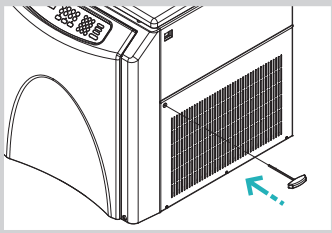
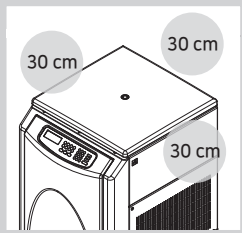
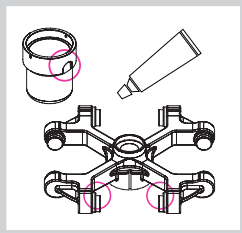
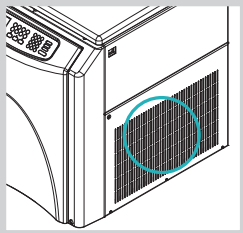
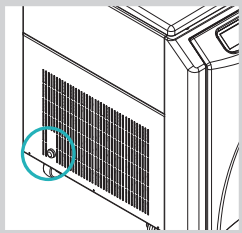
Press the Enter button

Temperature range that stops operation when the temperature is lower or higher than the set temperature.

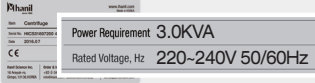



## Cautions for Use

Before Operation		After Operation
 <p><b>Check the Accessories for Abnormalities</b> Check the rotor, buckets and tubes are free of scratch and crack before operation.</p>	 <p><b>Balancing the Centrifuge and Rotor</b> After relocating the device or loading the rotor, balance them by using a leveler. If necessary, level the device by adjusting the 'Leveling foot' on the bottom of the device.</p>	 <p><b>Keep the Chamber Dry</b> Wipe up the moisture in the chamber with a dry cloth after use. Keep the lid open when not in use.</p>
 <p><b>Load Tubes Symmetrically</b> Load tubes symmetrically into the rotor with identical amount.</p>	 <p><b>Check the Lid</b> Place the lid on the wind shield rotor before centrifugation.</p>	
		 <p><b>Cleaning</b> Clean the chamber and rotor by wiping with a cloth soaked in mild detergent and dry completely.</p>

## Maintenance

 <p><b>Emergency Lid Open</b> If the centrifuge lid cannot be opened, insert the provided T-wrench into the emergency release hole on the right side of the device and press it. (Before activating emergency open, switch off the device and wait for the rotor to stop.)</p>	 <p><b>Allow a Safety Clearance of 30 cm</b> Allow a safety clearance of 30 cm around the centrifuge during operation and storage.</p>	 <p><b>Care of Swing-Out Rotor</b> Spread the grease lightly on the bucket where it contacts the rotor and the pivot.</p>	 <p><b>Remove Dust</b> Remove any dust from the ventilation slits on the right side of the device.</p>	 <p><b>Empty the Condensation Water</b> Empty the condensation water regularly by removing the drain cap on the left side of the device.</p>
---	---	---	---	---

## Electrical Safety

 <p><b>Check the Line Voltage</b> Connect the device to voltage sources, which correspond to the electrical requirements on the label attached to the device.</p>	 <p><b>Grounded Outlet</b> Check the wall outlet is earth-grounded, surge-protected and can supply enough power.</p>	 <p><b>Power Connection</b> Connect the power cable to the distribution box, or install the plug and socket that are packed with the device.</p>	 <p><b>Switch Off the Device</b> Switch off the device after use. Unplug the power plug before cleaning or unused for a long period of time.</p>
--	---	--	---

## Rotors

WS750-6 6 x 750 mL / Max. 4.5k